

This Data Sheet Includes Information On

Marvel

- **Product Model Number (s):**
Luxury Series Wine and Beverage Refrigerator without door (door ordered separately):
66BWM-BN

- **Dimensions (Actual Size)**
Depth NOT including door: 22"
Height at full leg adjustment: 69 1/8"
Height at 0" leg adjustment: 68 3/8"
Height without legs installed: 68 1/8"
Width: 24 1/8"
Toe Kick height: 3"
Door swing at 90°: 25 1/2"
Recommended opening width: 24 1/4"
Recommended opening depth: 24"
Recommended opening height: 68 3/4"

• **Additional Information** •

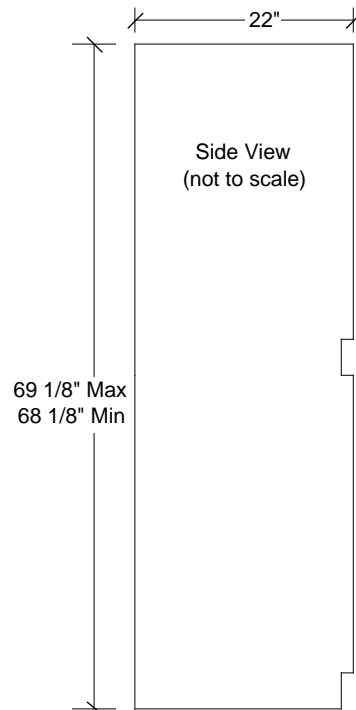
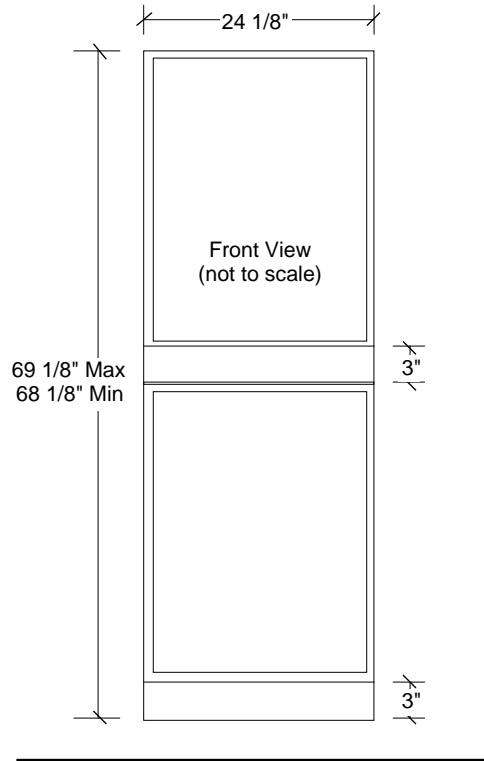
- Electrical requirements: 120 volts, 6 amps running max. 20 amp circuit required.
- Locate a 3-prong grounded receptacle in one of three locations: 1) On the wall in the adjacent cabinet opening. 2) Flush on the back wall of the refrigerator opening (add 1" to the overall depth of the unit to accommodate the thickness of the plug). 3) Recessed 1" into the back wall of the refrigerator opening.
- When recessed, unit does not require additional air space for top, sides or rear
- MicroSentry™ refrigeration monitor controls refrigeration system's performance to maintain a constant and precise temperature
- Each section (upper and lower) has its own cooling system and MicroSentry™ monitor to ensure wines and beverages are kept at proper storage temperature
- Racks have front trim of clear, solid maple (unfinished)
- Lower section has lighted and inclined display shelf for up to four wine bottles, with storage for 3 more in back
- 66BWM-BN: Beverage Refrigerator upper/Wine Cellar lower: Black cabinet, no door, with high gloss ebony interior. Door option sold separately. See page 2.
- Capacity: 59 wine bottles, including magnums; 133 12-oz. canned beverages

See pages 2-3 for additional information

Subject to change without notice. This system is designed to be updated daily if necessary. Dimension Express is not responsible for use of superseded, voided, or outdated data sheets. Because of the difficulty or impracticability of determining actual damages, liability of Dimension Express shall not exceed \$50.00.

Copyright © Dimension Express, 2007.

318



• NEVER reuse Data Sheets. Data Sheets are subject to change without notice. Dimension Express is a FREE service bureau and is updated daily, it makes far more sense to spend the time necessary to request new Data Sheets for each project, as opposed to the problems, time, costs, and risks associated with reusing old Data Sheets.

- Call Dimension Express if you have any questions at (800) 940-2059 •
- Always refer to a current Code at a Glance or manufacturer directory •
- Data Sheet codes change on the first of each quarter at 12:01am •

BN • A318B149C150 • 070111 • 10504 • 29413

Luxury Series Wine and Beverage Refrigerator
 without door (door ordered separately):
 66BWM-BN

Additional Information:

- Door is reversible in field.
- Wine racks and beverage shelves may be extended at 90° door opening.
- Shipping weight: 356 pounds.
- U.L. Listed.

Accessories:

- Designer full -length bar handle in stainless steel (P/N 42244405), black (P/N 42245084) or white (P/N 42245085).

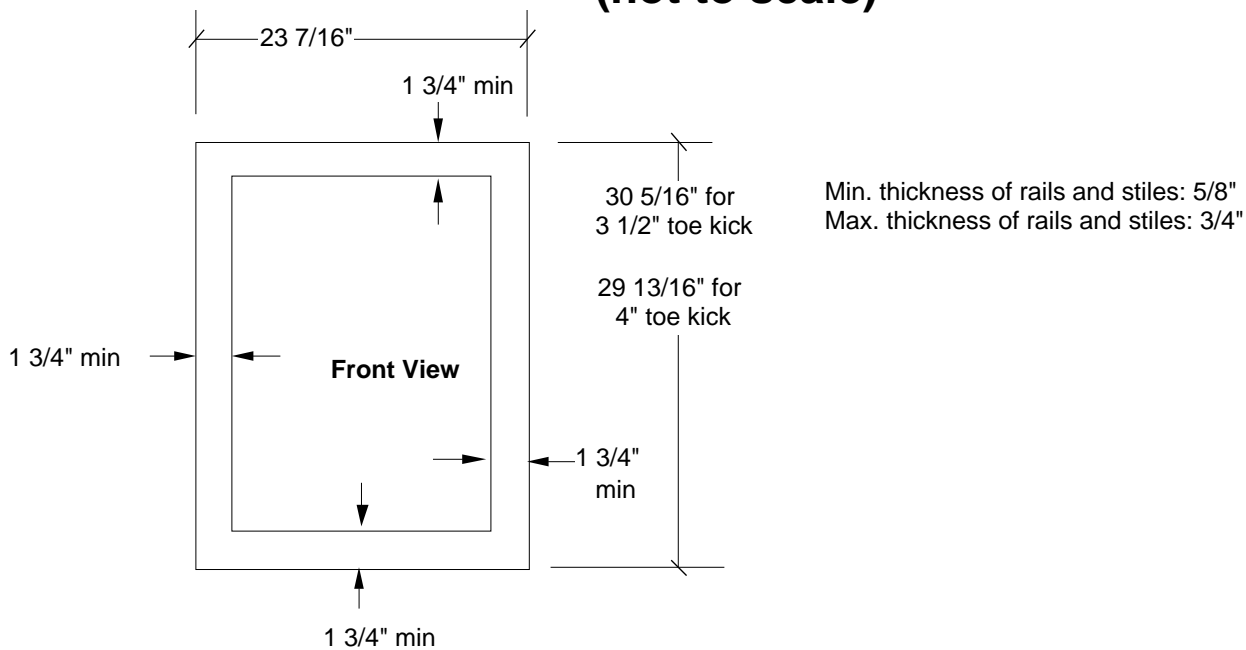
Door options:

1) Overlay Glass Door: P/N 42246488. Accepts customer supplied wood frame overlay and handle, see below. Unit requires two doors. Add 1 3/8" to depth for door without wood frame overlay or handle.

2) Overlay Solid Door: P/N 42246489 black with black liner. Accepts customer supplied wood overlay panel and handle, see page 3. Unit requires two doors. Add 1 3/8" to depth for door without overlay panel or handle.

3) Full Wrap Glass Door with professional style bar handle: P/N 42246486 black frame with black handle or P/N 42246487 stainless frame with stainless handle. Unit requires 2 doors. Add 2 1/4" to depth for door and 2 1/8" for bar handle.

Custom Overlay Glass Door Frame Dimensions (not to scale)



Subject to change without notice. This system is designed to be updated daily if necessary. Dimension Express is not responsible for use of superseded, voided, or outdated data sheets. Because of the difficulty or impracticability of determining actual damages, liability of Dimension Express shall not exceed \$50.00. Copyright © Dimension Express, 2007.

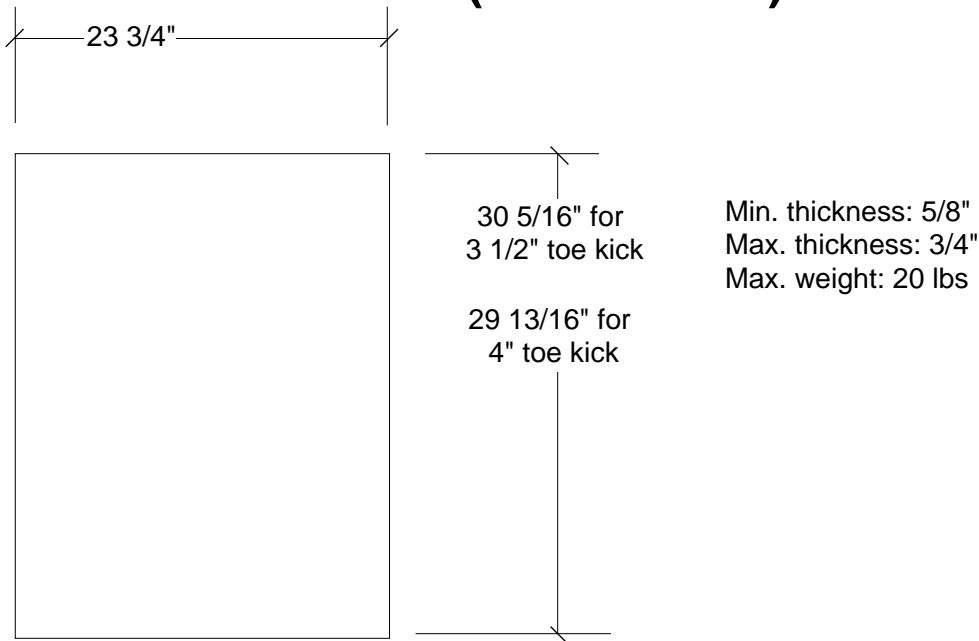
• NEVER reuse Data Sheets. Data Sheets are subject to change without notice. Dimension Express is a FREE service bureau and is updated daily, it makes far more sense to spend the time necessary to request new Data Sheets for each project, as opposed to the problems, time, costs, and risks associated with reusing old Data Sheets.

- Call Dimension Express if you have any questions at (800) 940-2059 •
- Always refer to a current Code at a Glance or manufacturer directory •
- Data Sheet codes change on the first of each quarter at 12:01am •

Luxury Series Wine and Beverage Refrigerator
without door (door ordered separately):
66BWM-BN

Additional Information:

Custom Overlay Solid Door Dimensions (not to scale)



Subject to change without notice. This system is designed to be updated daily if necessary. Dimension Express is not responsible for use of superseded, voided, or outdated data sheets. Because of the difficulty or impracticability of determining actual damages, liability of Dimension Express shall not exceed \$50.00. Copyright © Dimension Express, 2007.

150

• NEVER reuse Data Sheets. Data Sheets are subject to change without notice. Dimension Express is a FREE service bureau and is updated daily, it makes far more sense to spend the time necessary to request new Data Sheets for each project, as opposed to the problems, time, costs, and risks associated with reusing old Data Sheets.

- Call Dimension Express if you have any questions at (800) 940-2059 •
- Always refer to a current Code at a Glance or manufacturer directory •
- Data Sheet codes change on the first of each quarter at 12:01am •

BN • A318B149C150 • 070111 • 10504 • 29413